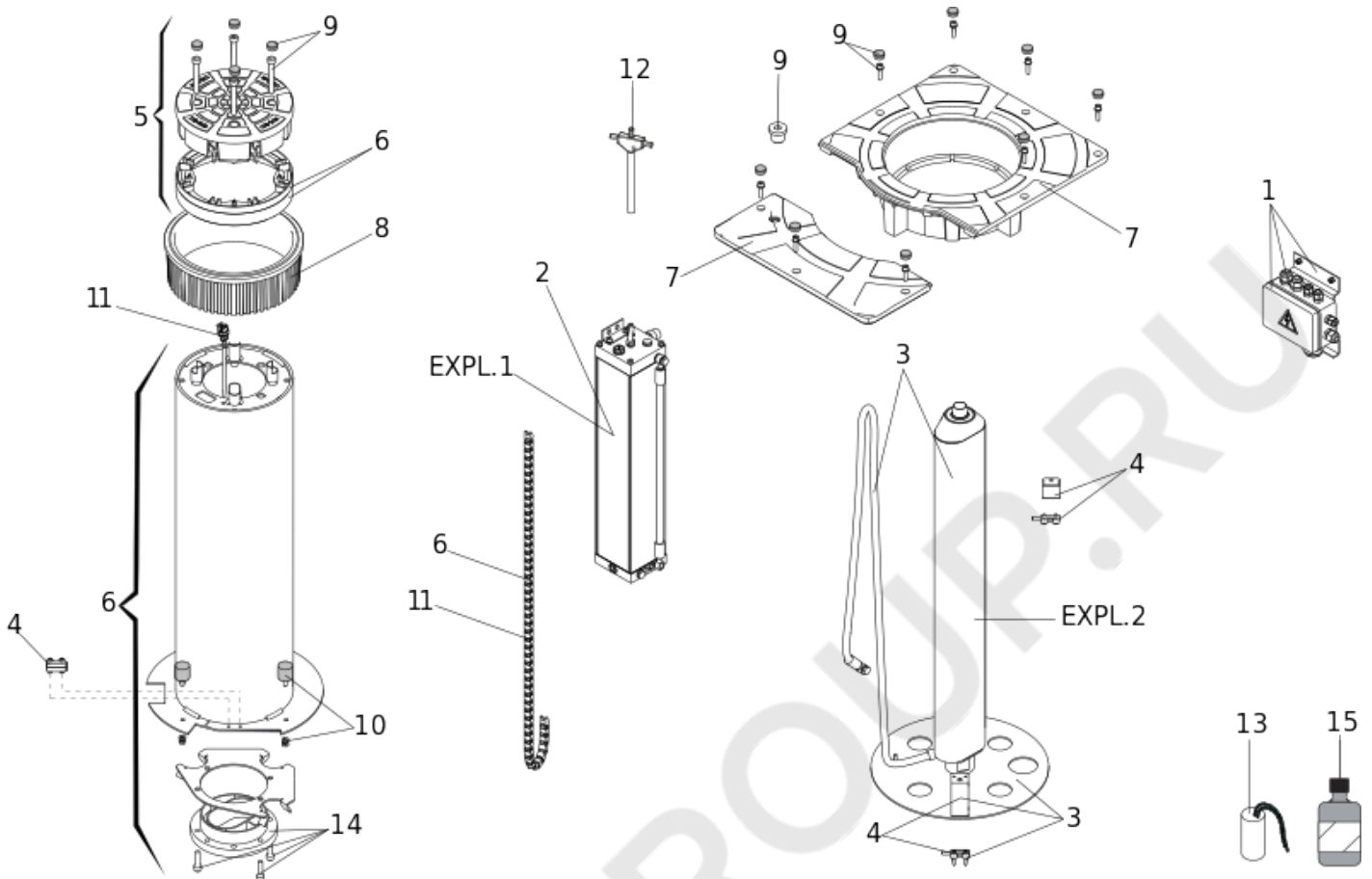


# J200 HA

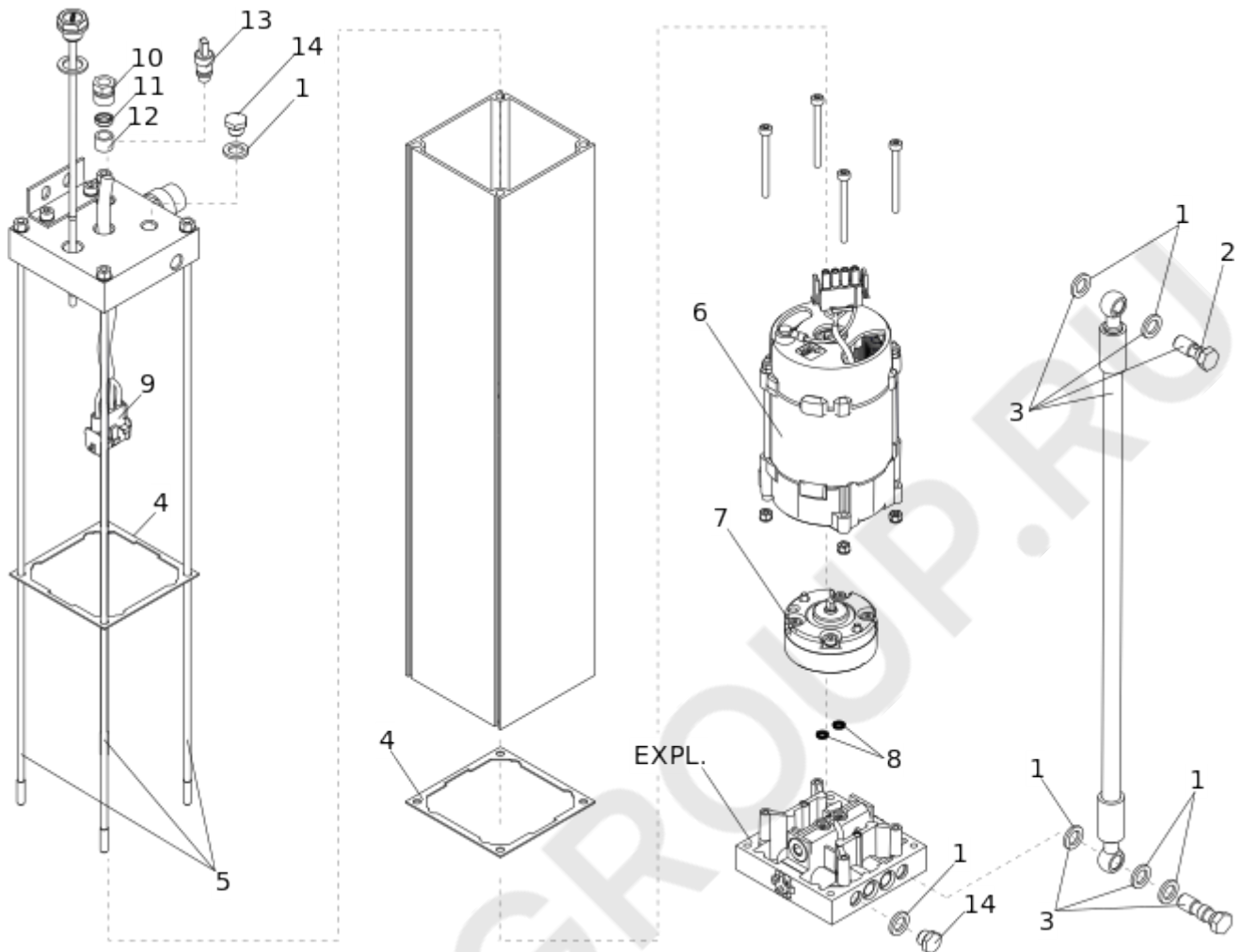


Pos.	Code	EAN	Quantity	Replacement code	Description	Salable
1	63000263	8055195029949	1		J200HA JUNCTION BOX	yes
2	63000264	8055195029956	1		J200HA HYDRAULIC UNIT	yes
3	63000267	8055195029987	1		J200HA PLUGGER ROD GROUP WIT LIMIT SWITC	yes
4	63000269	8055195030006	1		J200HA MAGNETIC LIMIT SWITCH GROUP	yes
5	63000271	8055195030013	1		J200HA BOLLARD HEAD	yes
6	63000272	8055195030020	1		J200HA PAINTED CYLINDER WITH STICKER	yes
7	63003294	8055195057454	1		J200HA COMPLETE LID	yes
8	63000277	8055195030075	1		J200HA TOP BUSH	yes

Pos.	Code	EAN	Quantity	Replacement code	Description	Salable
9	63003296	8055195057478	1		J200 ACCESSORIES	yes
10	63000279	8055195030099	4		J200HA PUFFER END STOPS.	yes
11	63000282	8055195030112	1		J200HA LEDS CABLE	yes
12	63000281	8055195030105	1		J200HA RELEASE KEY	yes
13	7601201	8055195025910	1		PP CAP.16 MF 230VAC WIRE 180MM	yes
14	63000311	8055195030259	1		J200HA - J355HA GUIDE CARRIAGE	yes
15	714017	8055195010923	2		FAAC HP OIL LT.1	yes

FAAC-GROUP

## J200 HA HYDRAULIC UNIT

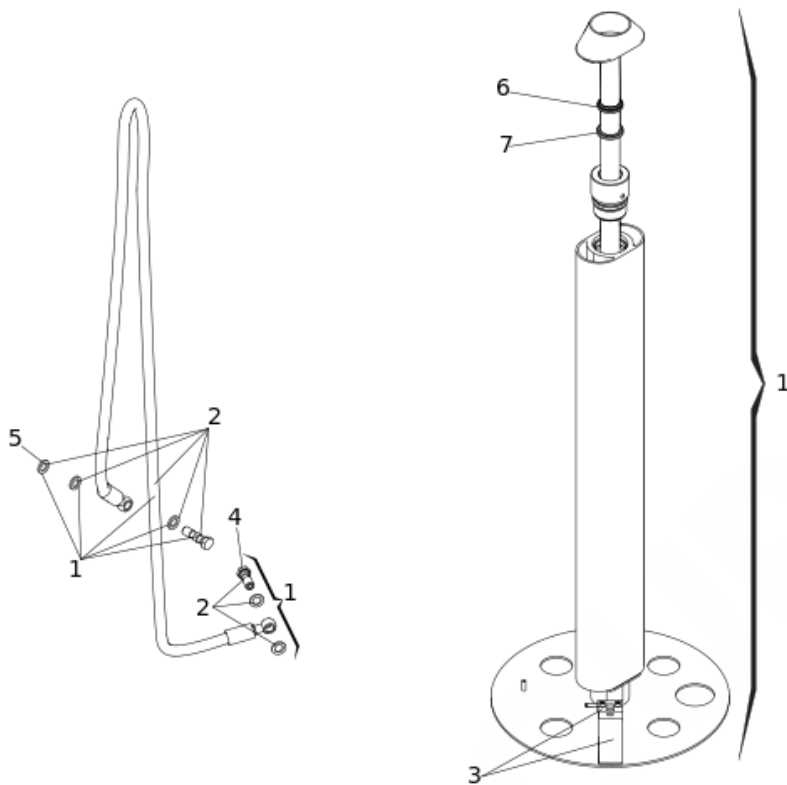


Pos.	Code	EAN	Quantity	Replacement code	Description	Salable
1	63003231	8055195043648	7		BONDED SEAL 1/8 GAS CENT. 89096 DICKTOMA	yes
2	7110115	8055195023022	1		SW.G.RAM 750 CAP 1-8 KEY 13 H29,5	yes
3	63000112	8055195028966	1		FLEXIBLE PIPE GROUP OCC/OCC	yes
4	7099315	8055195022858	2		G.D.O. 590 FLAT GASKET	yes
5	63003135	8055195033724	4		TIE ROD 620 SR LONG	yes
6	7704065	8055195026023	1		MOTOR 220V 2P	yes
7	3204445	8055195015034	1		PUMP	yes

Pos.	Code	EAN	Quantity	Replacement code	Description	Salable
8	7090010015	8055195040074	2		GASKET OR 4.48X1.78 (2018)	yes
9	7514065	8055195025736	1		CABLE M.1'92 W/O MOTOR THERMAL PROT.	yes
10	7109095	8055195022957	1		CABLE GLAND	yes
11	7043355	8055195022131	1		CABLE GLAND RING	yes
12	7099245	8055195022841	1		STRAIN RELIEF GASKET	yes
13	63003166	8055195033847	1		RELEASE VALVE ASSEMBLY J275/J200 HA	yes
14	63003232	8055195052633	2		1/8 GAS BRASS CAPS (KEY13)(10 pces)	yes

FAAC-GROUP

## J200 HA HYDRAULIC PLUNGER



Pos.	Code	EAN	Quantity	Replacement code	Description	Salable
1	63000267	8055195029987	1		J200HA PLUGGER ROD GROUP WIT LIMIT SWITC	yes
2	63000268	8055195029994	1		J200HA BOLLARD HYDRAULIC TUBE	yes
3	63000269	8055195030006	1		J200HA MAGNETIC LIMIT SWITCH GROUP	yes
4	7110115	8055195023022	2		SW.G.RAM 750 CAP 1-8 KEY 13 H29,5	yes
5	63003231	8055195043648	5		BONDED SEAL 1/8 GAS CENT. 89096 DICKTOMA	yes
6	63000143	8055195029185	1		PARKER A1 2025 P5008 (25x33x7/4)	yes
7	63000142	8055195029178	1		PARKER HL 2533 P5008 (25x33x4,5/5)	yes